

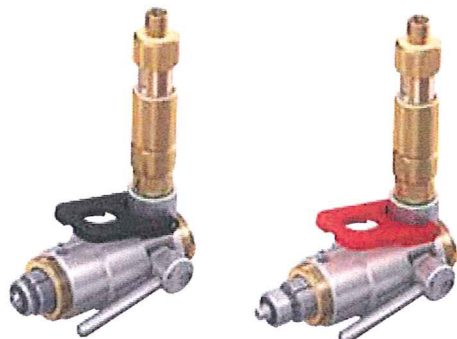
Type **TW154**

Quick connector for filling twin cylinder packs 200/300 bar
for direct connection to the filling hose



General

DESCRIPTION



Features

- Suitable for rigidly mounted twin cylinder packs
- 90° media inlet
- Quick connection in seconds without screwing
- Improved ergonomics

A new version of the WEH TW154 filling connector enables easy filling of rigidly mounted twin cylinder packs. Normally the filling hose has to be screwed manually into the cylinder valve, but now the screw connectors used can be easily replaced with the WEH TW154 connector.

The lateral 90° media inlet of the type TW154 enables the connector to be easily positioned into the carrying handle of the cylinder pack and then connected to the cylinder valve. An integrated swivel joint helps to align the WEH connector to the valve, thus eliminating hose twisting. The type TW154 can be connected directly to the standard thread of the cylinder valve. The split collet design system locks securely and the connection is made by lowering the lateral actuation lever through 90°, locking the split jaws into the cylinder valve and actuating the sealing piston. The integrated safety peg prevents disconnection under pressure.



Twin cylinder pack

TW154 is available for 200 bar and 300 bar systems. The 200 bar connector has a black lever and the 300 bar connector has a red lever.

All connectors are in accordance with the Pressure Equipment Directive (PED) and are subjected to extensive pressure and long-term tests (100,000 cycles).

Application

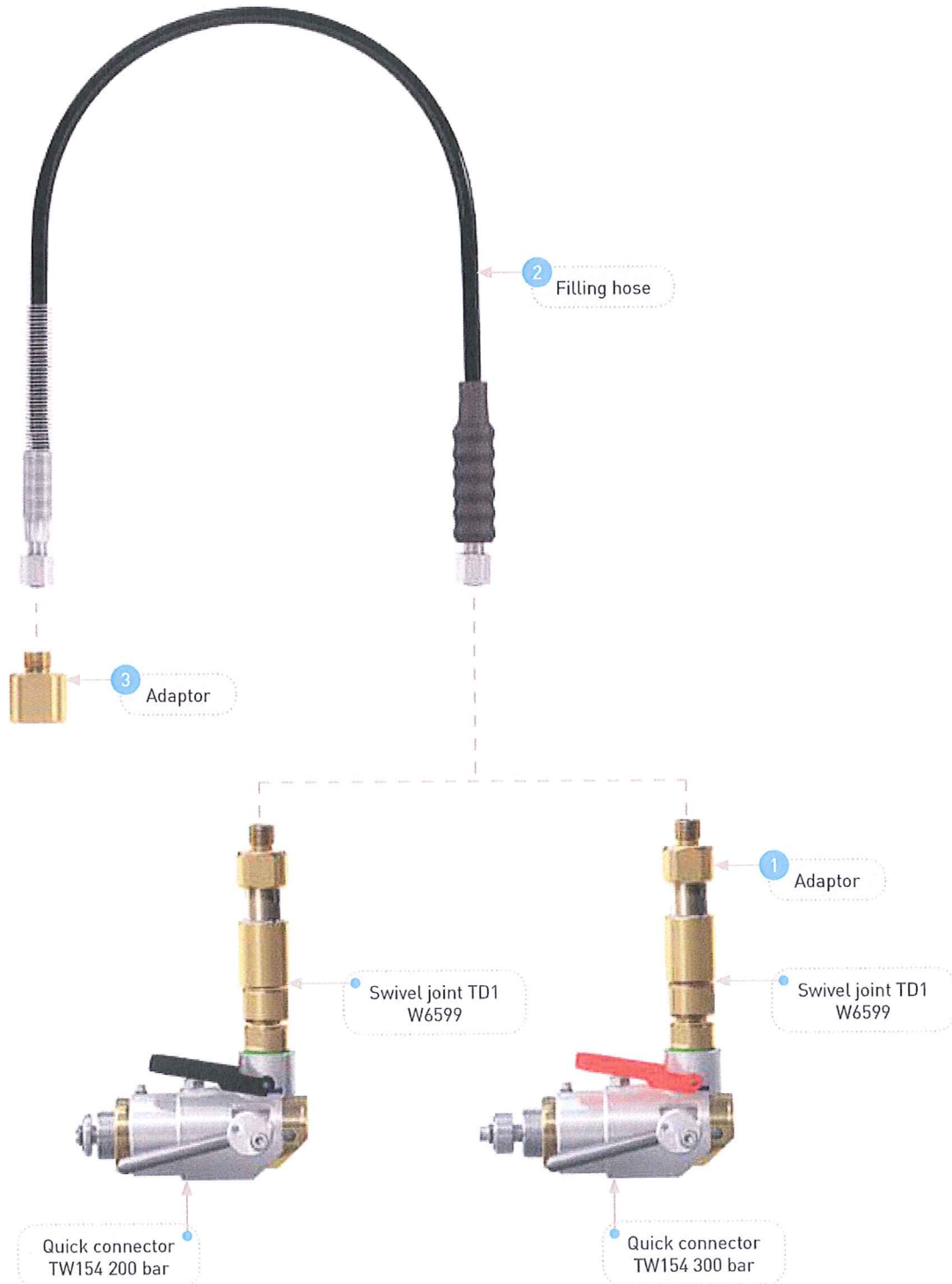
Filling of twin cylinder packs in fire service BA facilities with the WEH quick connector.

TECHNICAL DATA

| Characteristic | Basic version | Options |
|-----------------------|---|---|
| Nominal pressure PN | 200 bar 300 bar | On request |
| Operating pressure PS | 250 bar 375 bar | On request |
| Test pressure PT | 375 bar 565 bar | On request |
| Temperature range | +5 °C up to +70 °C | On request |
| Medium | Respiratory air (compressed air) | On request |
| Thread size A | Standard connection for G5/8" internal thread (DIN 477) | Other connections acc. to the corresponding national standard available. Special connections available. |
| Inlet B | Depending on connection at the filling hose | On request |
| Material | Brass and corrosion-resistant stainless steel | On request |
| Sealing material | FKM / NBR | On request |
| Function tested | 100,000 cycles | On request |
| Registration | PED 97/23/EC: CE0036 | |

System overview

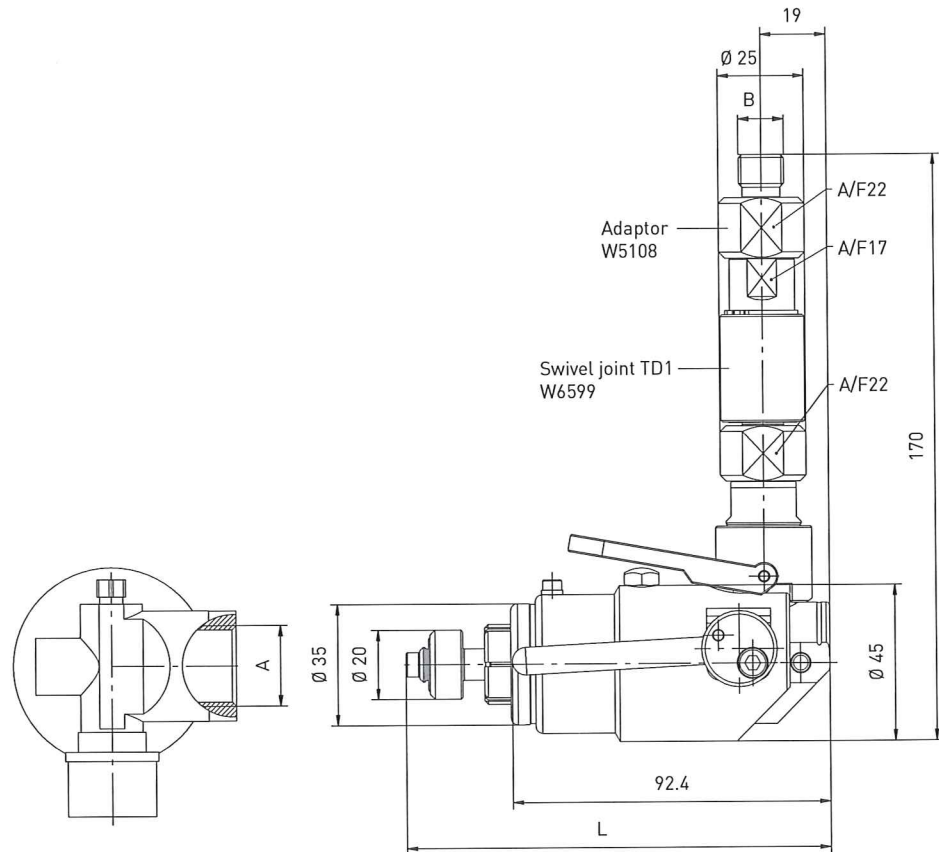
SYSTEM OVERVIEW



Ordering

ORDERING

approx. dimensions (mm)



Quick connector TW154 for direct connection to the filling hose (twin cylinder pack)



| Part No. | Description | Pressure | Connection A | Connection B | L |
|---------------------|--|----------|------------------------------|---|-------|
| C1-93101 | TW154 (black lever) incl. swivel joint TD1 (W6599) and adaptor (W5108) | 200 bar | G5/8" external thread* | G1/4" external thread with 60° inner cone | 110.5 |
| C1-89990 | TW154 (red lever) incl. swivel joint TD1 (W6599) and adaptor (W5108) | 300 bar | G5/8" external thread* | G1/4" external thread with 60° inner cone | 123.3 |
| E51-308S508 | Spare front seal for TW154 | - | - | - | - |
| B200B-049-00 | Seal set for TD1 | - | - | - | - |

* DIN 477

Ordering

ORDERING

The following accessories are available for the TW154:

1 Adaptor

Adaptor W50357 has to be used for hose filling when using the filling hose (2).



| Part No. | Description | Pressure | Connection |
|---------------|------------------------------------|-------------------|---|
| W50357 | For connection to the filling hose | 200 bar / 300 bar | M16x1.5 external thread with 60° inner cone |

2 Filling hose



| Part No. | Description | Connection |
|------------------|-------------------------------------|----------------------------|
| E68-32040 | Length 1.5 m / nominal bore DN 5 mm | M16x1.5 internal thread |

Others on request

3 Adaptor

Adaptor for connection of the filling hose with the filling rig.



| Part No. | Description | Pressure | Connection |
|---------------|---|----------|--|
| W32294 | For connection filling hose / filling rig | 200 bar | G5/8" internal thread DIN 477 No. 13 |
| W33959 | For connection filling hose / filling rig | 300 bar | G5/8" internal thread DIN 477 No. 16 |

Other products

OTHER PRODUCTS

WEH also offers special quick connectors for filling respiratory air cylinders or testing respiratory protective equipment.



Further information on our homepage
www.weh.com

© All rights reserved, WEH GmbH 2009. Any unauthorized use is strictly forbidden. Subject to alteration. No liability will be assumed for any content. Herewith previous versions are no longer valid.

Contacting

For queries and further information, please do not hesitate to contact our sales team at sales@weh.com.

WEH GmbH
Precision Connectors
Josef-Henle-Str. 1
89257 Illertissen / Germany
Phone: +49 7303 9609-0
Fax: +49 7303 9609-9999
eMail: sales@weh.com
Internet: www.weh.com