

PULP & PAPER

INDUSTRY APPLICATIONS

- **Pumps**

ANSI, API, Slurry, General Purpose

- **Motors**

IEEE-841, Severe Duty

- **Gearboxes**

Horizontal, Vertical

- **Paper Machine Rolls**

- **Pillow Blocks**

Split

- **Rotary Valves**

- **Pulper Drives**

- **Steam Turbines**

- **Refiners**

- **Fans**

- **Agitators**

- **Paper Stock**

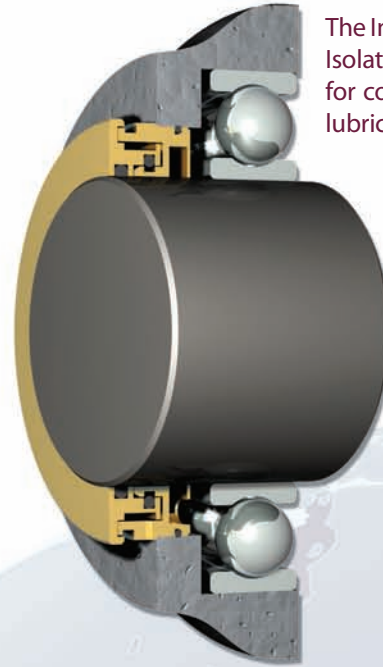
SAME DAY SHIPMENTS

THE WORLDWIDE LEADER IN PERMANENT BEARING PROTECTION.

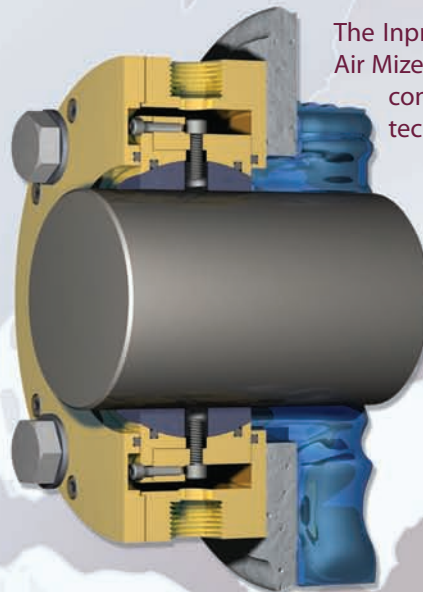
Inpro/Seal is the number one supplier and innovator of permanent bearing protection throughout the world. Our full line of bearing protection devices permanently protects bearings from catastrophic failure. Inpro/Seal Bearing Isolators increase reliability, reduce plant maintenance costs and reduce downtime by keeping contamination out of the bearing housing and maintaining the lubrication level. Because of its non-contacting design, it will last the lifetime of the equipment and reduce energy consumption significantly. The Inpro/Seal Bearing Isolator can be made from any type of material and can be re-used during normal maintenance.

In addition to bearing protection devices, we also manufacture a family of non-contacting air motivated shaft seals for powders, bulk solids, liquid and slurry applications. This unique shaft sealing system eliminates lost product while increasing equipment reliability.

All Inpro/Seal products are engineered to your specifications. Most designs can be shipped the **same day** as the order is written at no extra charge. For ease of installation, split designs are also available.



The Inpro/Seal VBXX-D Bearing Isolator is the industry standard for contamination ingress and lubrication retention.



The Inpro/Seal Smooth Bore Air Mizer is the latest in non-contacting shaft sealing technology.

SAME DAY SHIPMENTS